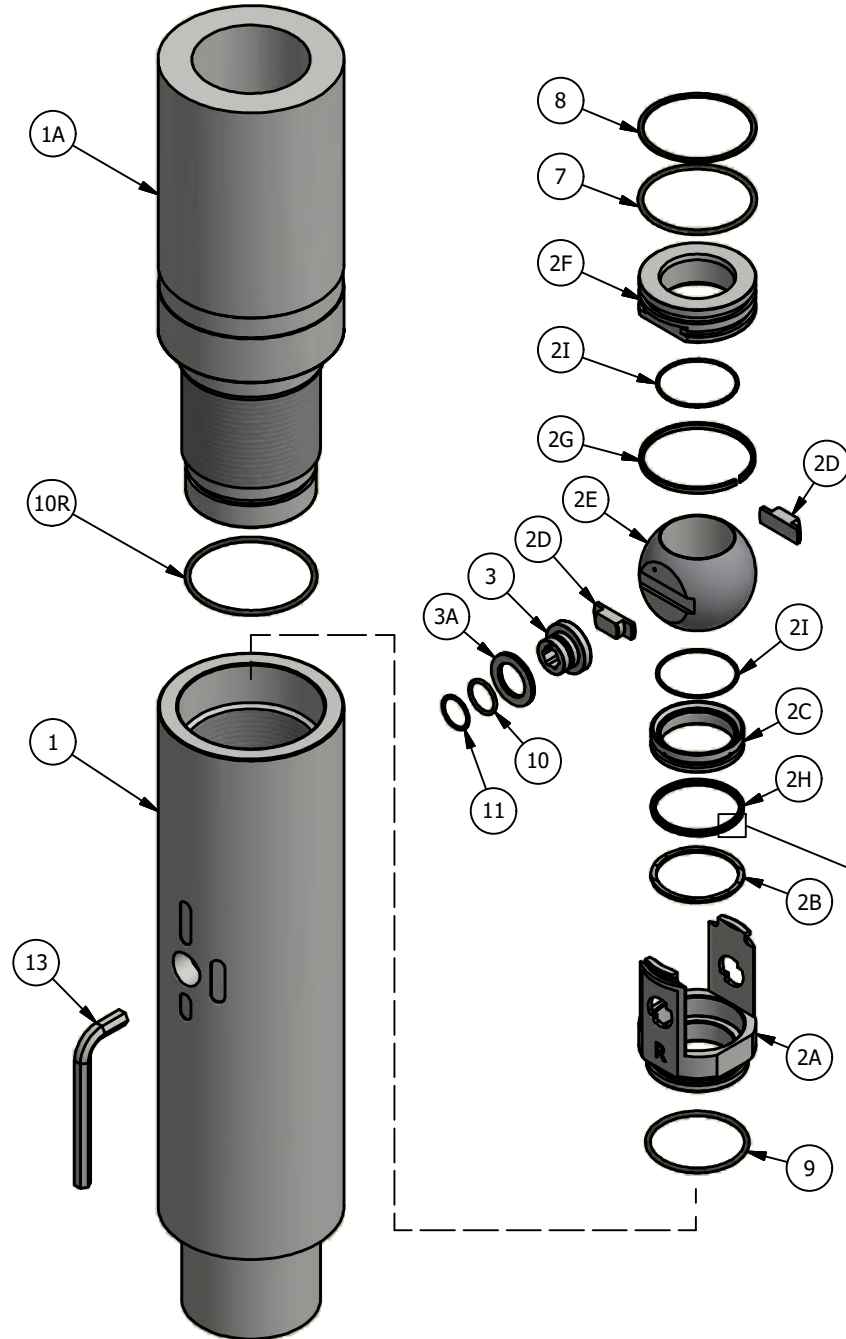


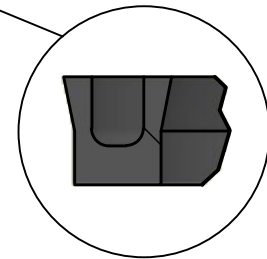
CANISTER GUARD TWO PIECE KELLY VALVE



PARTS LIST		
ITEM	QTY	DESCRIPTION
1	1	LOWER BODY
1A	1	UPPER BODY
2	1	COMPLETE CANISTER ITEMS 2A-2I, 7, 8, 9
2A	1	CAGE
2B	1	SPRING
2C	1	LOWER SEAT
2D	2	STEM LINK
2E	1	BALL
2F	1	UPPER SEAT
2G	1	CAGE/SEAT FASTENER
2H	1	LOWER SEAT SEAL (LIP SEAL)
2I	2	UPPER/LOWER SEAT TEFLON RING
3	1	STEM
3A	1	THRUST BEARING
7	1	UPPER SEAT O-RING
8	1	UPPER SEAT BACK-UP RING
9	1	CANISTER O-RING
10	1	STEM O-RING
10R	1	BODY O-RING
11	1	STEM BACK-UP RING
13	1	WRENCH
14		MAJOR SEAL KIT ITEMS 2H, 2I, 7, 8, 9, 10, 10R, 11
15		MAJOR PARTS KIT ITEMS 2, 3, 3A, 10, 10R, 11

NOTE: THIS ASSEMBLY IS APPLICABLE FOR THE FOLLOWING STANDARD CANISTER SIZES:

- 1) 3-00
- 2) 3-06
- 3) 3-25
- 4) 3-75
- 5) 4-00
- 6) 4-25
- 7) 4-62



M&M
INTL

M&M International
P.O. Box 321
Cade, LA 70519
(337) 364-4145

DOCUMENT NUMBER: MM-GAD-2PKV-300-462
REVISION NUMBER: 0
DOCUMENT DATE: JUNE 10, 2019
APPROVED BY: J. HINCAPIE

PROPERTY OF M&M INTERNATIONAL, INC. REPRODUCTION IN ANY FORM IS PROHIBITED WITHOUT WRITTEN, SIGNED AUTHORIZATION. MANUFACTURING FROM THIS PRINT EXPRESSES NO WARRANTY AS TO ACCURACY AND/OR WORKABILITY.