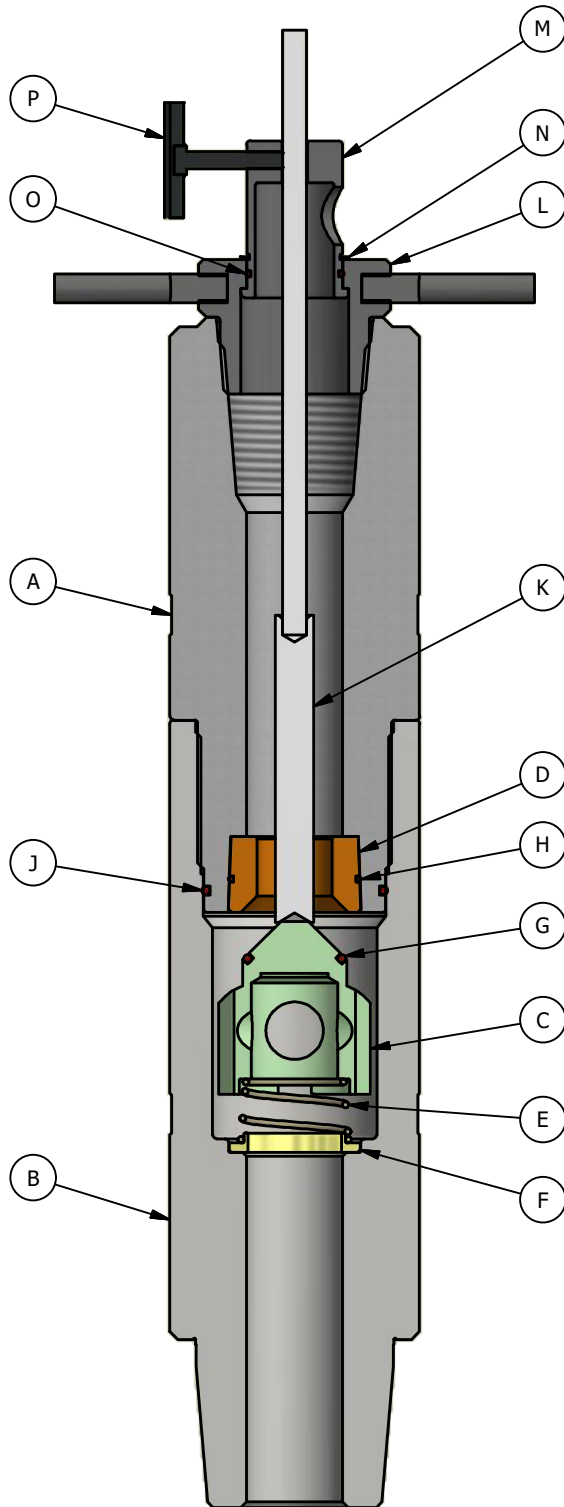


TWO PIECE BODY INSIDE BLOWOUT PREVENTER



ASSEMBLY OR REDRESS COMPONENT LIST

ITEM	QTY	DESCRIPTION
A	1	UPPER BODY
B	1	LOWER BODY
C	1	FLOATING HEAD
D	1	SEAT
E	1	SPRING
F	1	SPRING RETAINER
G	1	FLOATING HEAD O-RING
H	1	SEAT O-RING
J	1	BODY O-RING
K	1	RELEASING ROD
L	1	RELEASING TOOL SUB
M	1	RELEASING TOOL INSERT
N	1	SNAP RING
O	1	INSERT O-RING
P	1	LOCKING BOLT
Q		SEAL KIT ITEMS G, H, J
R		MAJOR REPAIR KIT ITEMS C, D, E, F, G, H, J

M&M
INTL

M&M International

P.O. Box 321
Cade, LA 70519
(337) 364-4145

DOCUMENT NUMBER: MM-GAD-2PIBOP

REVISION NUMBER: 0

DOCUMENT DATE: JUNE 10, 2019

APPROVED BY: J. HINCAPIE

PROPERTY OF M&M INTERNATIONAL, INC. REPRODUCTION IN ANY FORM IS PROHIBITED WITHOUT WRITTEN, SIGNED AUTHORIZATION. MANUFACTURING FROM THIS PRINT EXPRESSES NO WARRANTY AS TO ACCURACY AND/OR WORKABILITY.