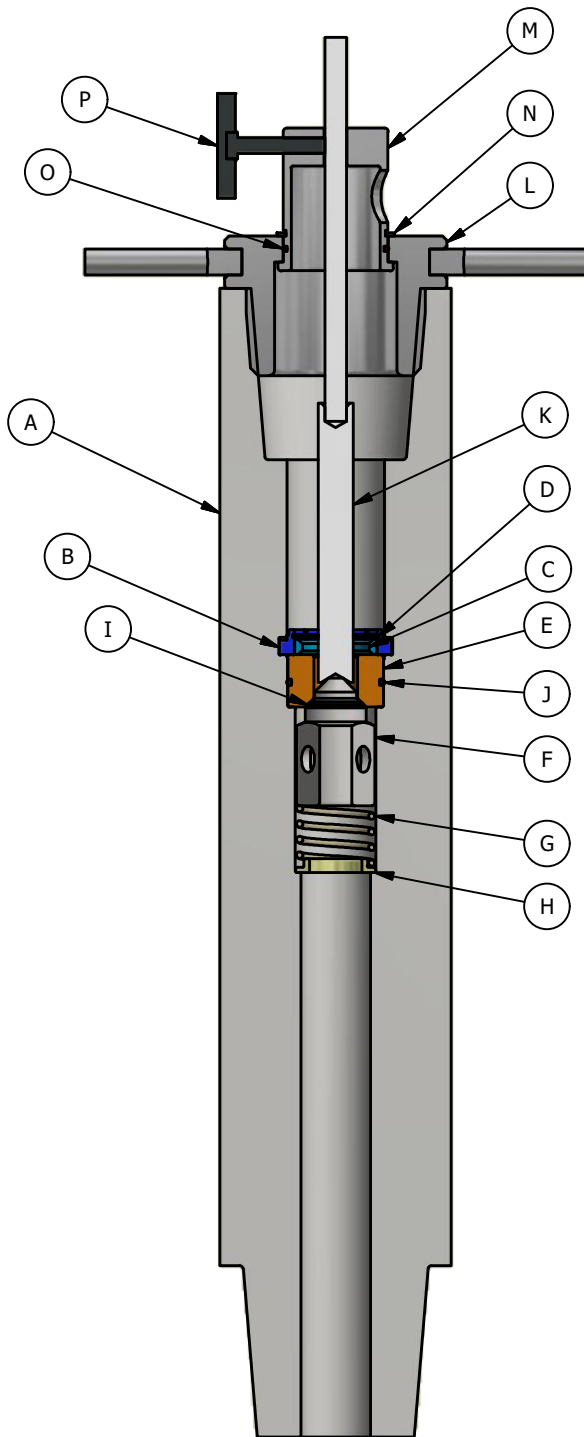


# ONE PIECE BODY INSIDE BLOWOUT PREVENTER



## ASSEMBLY OR REDRESS COMPONENT LIST

ITEM	QTY	DESCRIPTION
A	1	BODY
B	1	LOCKING SEGMENTS
C	1	SUPPORT RING
D	1	SPIRAL RETAINER RING
E	1	SEAT
F	1	FLOATING HEAD
G	1	SPRING
H	1	SPRING RETAINER
I	1	FLOATING HEAD O-RING
J	1	SEAT O-RING
K	1	RELEASING ROD
L	1	RELEASING TOOL SUB
M	1	RELEASING TOOL INSERT
N	1	SNAP RING
O	1	INSERT O-RING
P	1	LOCKING BOLT
Q		SEAL KIT ITEMS I, J
R		MAJOR REPAIR KIT ITEMS E, F, G, H, I, J

**M&M**  
INTL

**M&M International**

P.O. Box 321  
Cade, LA 70519  
(337) 364-4145

DOCUMENT NUMBER: MM-GAD-1PIBOP  
REVISION NUMBER: 0  
DOCUMENT DATE: JUNE 10, 2019  
APPROVED BY: J. HINCAPIE

PROPERTY OF M&M INTERNATIONAL, INC. REPRODUCTION IN ANY FORM IS  
PROHIBITED WITHOUT WRITTEN, SIGNED AUTHORIZATION. MANUFACTURING FROM  
THIS PRINT EXPRESSES NO WARRANTY AS TO ACCURACY AND/OR WORKABILITY.