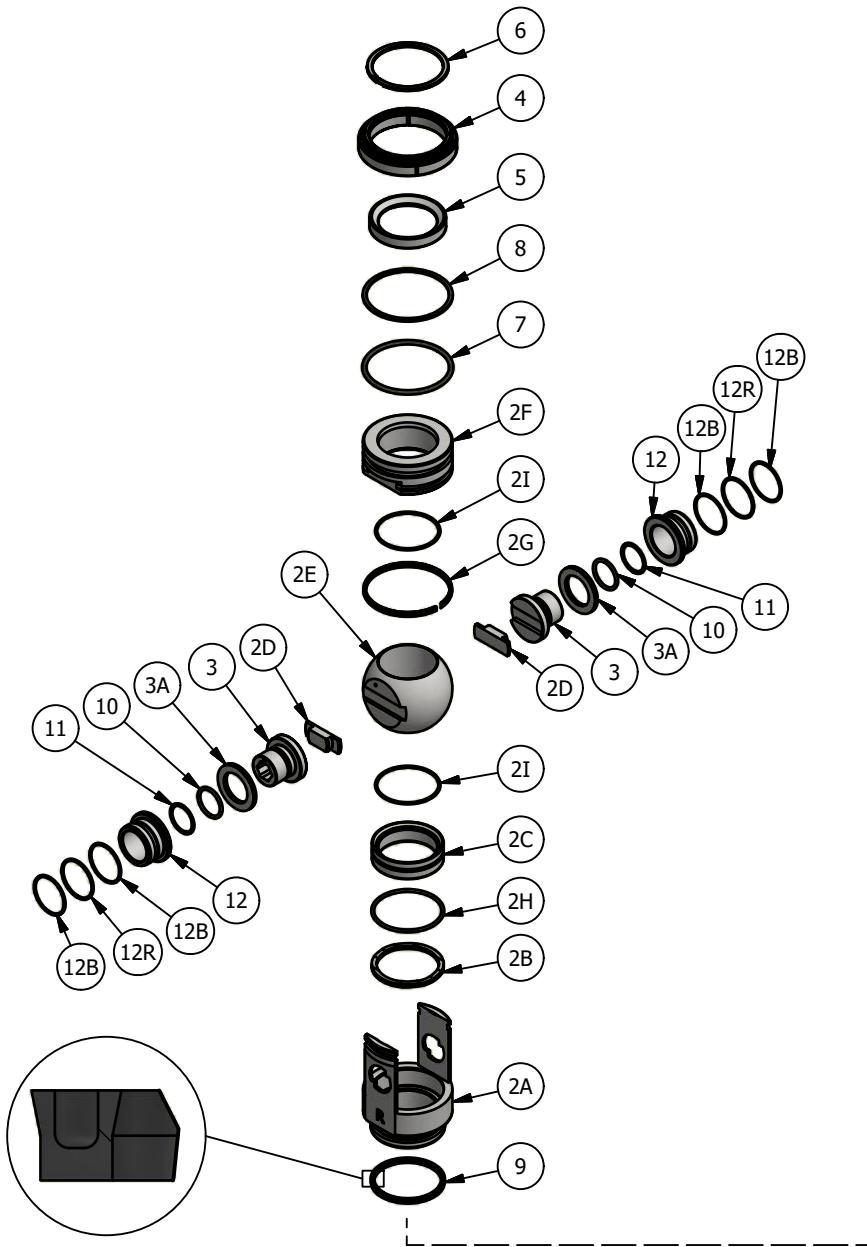
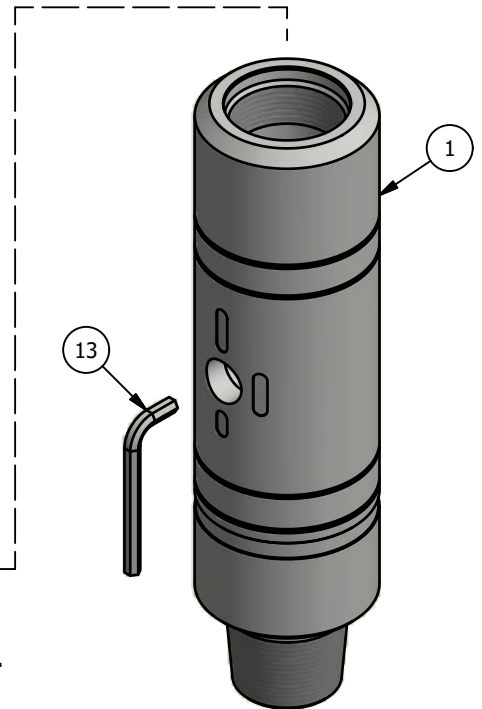




CANISTER GUARD REMOTE UPPER WELL CONTROL VALVE FOR CANRIG ACTUATOR



| PARTS LIST | | |
|------------|-----|---|
| ITEM | QTY | DESCRIPTION |
| 1 | 1 | VALVE BODY |
| 2 | 1 | COMPLETE CANISTER ITEMS 2A-2I, 7, 8, 9 |
| 2A | 1 | CAGE |
| 2B | 1 | SPRING |
| 2C | 1 | LOWER SEAT |
| 2D | 2 | STEM LINK |
| 2E | 1 | BALL |
| 2F | 1 | UPPER SEAT |
| 2G | 1 | CAGE/SEAT FASTENER |
| 2H | 1 | LOWER SEAT O-RING |
| 2I | 2 | UPPER/LOWER SEAT TEFLON RING |
| 3 | 2 | STEM |
| 3A | 2 | THRUST BEARING |
| 4 | 1 | LOCKING SEGMENTS |
| 5 | 1 | SUPPORT RING |
| 6 | 1 | SPIRAL RETAINER RING |
| 7 | 1 | UPPER SEAT O-RING |
| 8 | 1 | UPPER SEAT BACK-UP RING |
| 9 | 1 | CANISTER SEAL (LIP SEAL) |
| 10 | 2 | STEM O-RING |
| 11 | 2 | STEM BACK-UP RING |
| 12 | 2 | STEM BUSHING |
| 12R | 2 | STEM BUSHING O-RING |
| 12B | 4 | STEM BUSHING BACK-UP RING |
| 13 | 1 | WRENCH |
| 14 | | MAJOR SEAL KIT ITEMS 2H, 2I, 7, 8, 9, 10, 11, 12R, 12B |
| 15 | | MAJOR PARTS KIT ITEMS 2, 3, 3A, 3B, 10, 11, 12R, 12B |



NOTES:

- 1) THIS ASSEMBLY IS ONLY APPLICABLE TO THE 2-75 CANISTER SIZE.
- 2) ITEMS 12, 12R, 12B MAY NOT APPLY TO ALL ASSEMBLIES. CHECK WWW.MMVALVE.COM FOR APPROPRIATE PARTS LIST BASED ON VALVE SERIAL NUMBER.